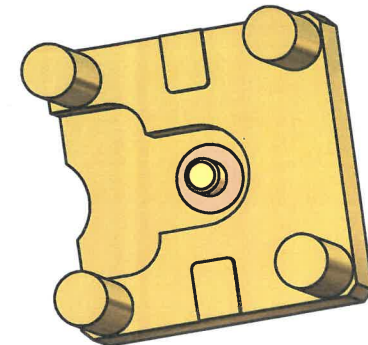
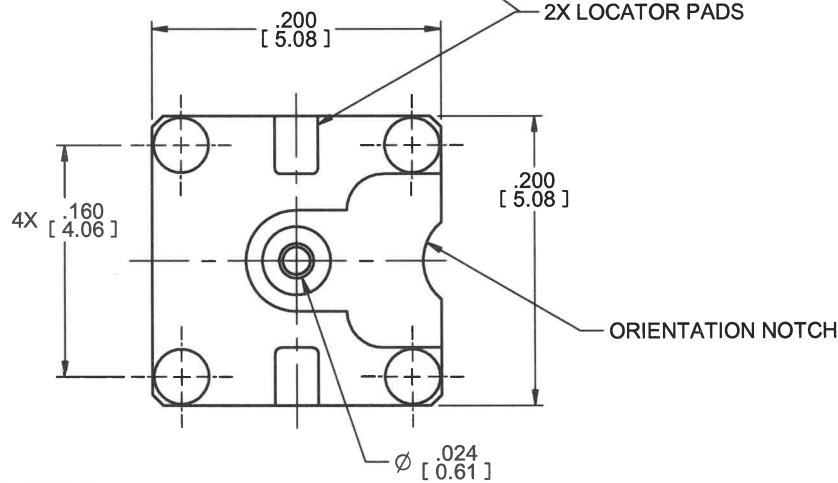
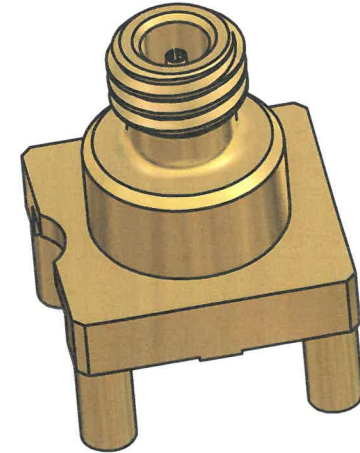
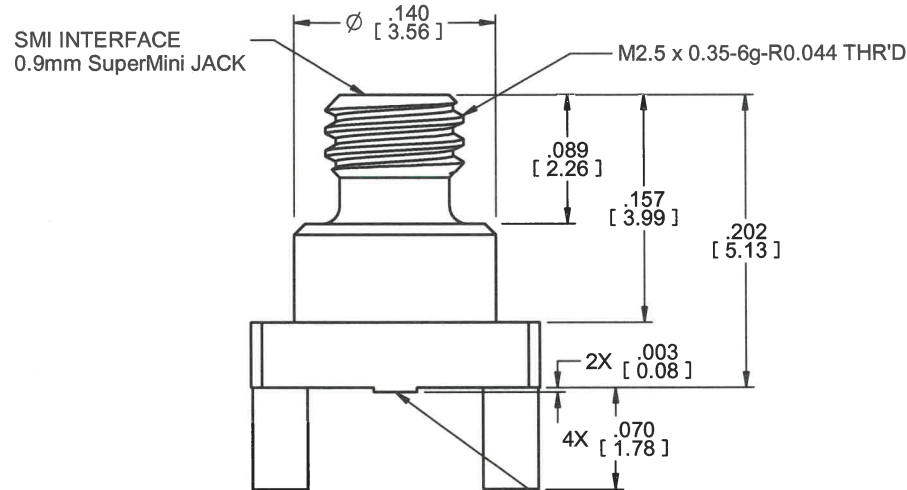


MODEL No.:

53050-004J

NOTE: Information herein is believed by Southwest Microwave, Inc., to be accurate. However, Southwest Microwave assumes no responsibility for any omissions or errors or inaccuracies for its use or for any infringements of patents or other rights of third parties that may result from its use. Data is intended for informational purpose only and does not constitute a contract of sale or any express or implied warranty, including any warranty of merchantability or fitness for a particular purpose



3. MATERIAL AND FINISH:

3.1 MATERIALS

HOUSING AND CENTER CONTACT:
BeCu ALLOY

BEAD RING:
HIGH TEMPERATURE POLYMER

3.2 FINISHES

HOUSING AND CENTER CONTACT:
GOLD PLATE PER MIL-DTL-45204

2. CONNECTOR DESIGN IS COMPATIBLE WITH CURRENT MATERIAL AND PROCESS REQUIREMENTS FOR RoHS AND WEEE PER EUROPEAN COMMUNITY DIRECTIVE 2002/95/EC.

1. ALL DIMENSIONS ARE IN INCHES. ALL ANGLES ARE IN DEGREES. DIMENSIONS SHOWN IN BRACKETS [XXX] ARE IN MILLIMETERS.

NOTES: UNLESS OTHERWISE SPECIFIED.

FSCM NO. 66049

REV.	ECN:	DESCRIPTION:	BY:	APRVD:	DATE:
A1	9317	REVISED DWG TITLE	E.OLSEN	B. CLYDE	1/16/15



Southwest Microwave, Inc.
9055 South McKemy Street
Tempe, Arizona 85284-2946
Telephone (480) 783-0201
Fax (480) 783-0360

TITLE		0.9mm SuperMini JACK PCB VERTICAL MOUNT Ø.024 PIN	
DRN BY: D HAKE	DATE: 07/17/12	MODEL NO.	53050-004J
SCALE 8:1		DWG. NO.	79BT61075
SHEET: 1 OF 1		REV.	A1